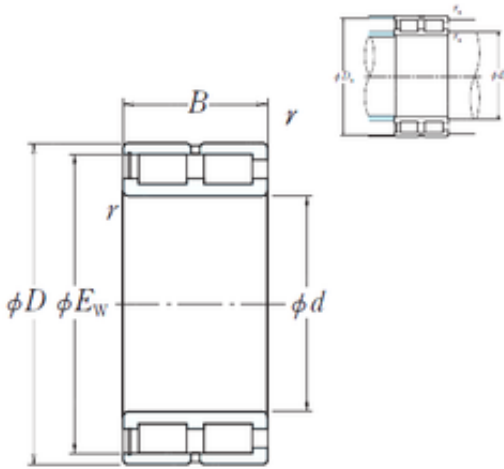




JLB Bearing Technology Co., Ltd

NNCF4992V NSK Double row full complement cylindrical roller bearings

Bearing No. NNCF4992V



NNCF4992V Bearing 2D drawings and 3D CAD models

Size	460x573x160 mm
Bore Diameter	460 mm
Outer Diameter	573 mm
Width	160 mm
d	460 mm
D	620 mm
Ew	573 mm
B	160 mm
C	160 mm
r min.	4 mm
Da	591 mm
ra max.	3 mm
da	486 mm
Weight	142 Kg
Basic dynamic load rating (C)	3050 kN