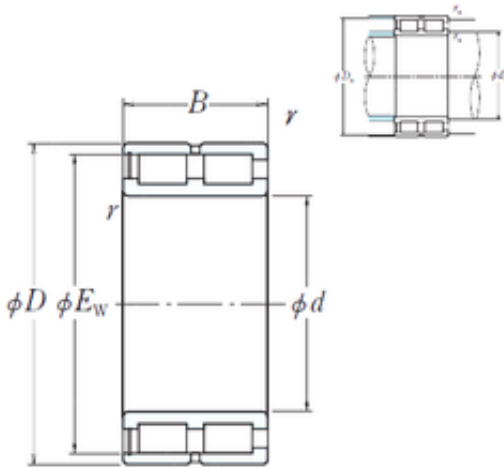




JLB Bearing Technology Co., Ltd

NNCF4884V NSK Double row full complement cylindrical roller bearings

Bearing No. NNCF4884V



NNCF4884V Bearing 2D drawings and 3D CAD models

Size	420x492x100 mm
Bore Diameter	420 mm
Outer Diameter	492 mm
Width	100 mm
d	420 mm
D	520 mm
Ew	492 mm
B	100 mm
C	100 mm
r min.	2,1 mm
Da	498 mm
ra max.	2 mm
da	440 mm
Weight	49,5 Kg
Basic dynamic load rating (C)	1320 kN