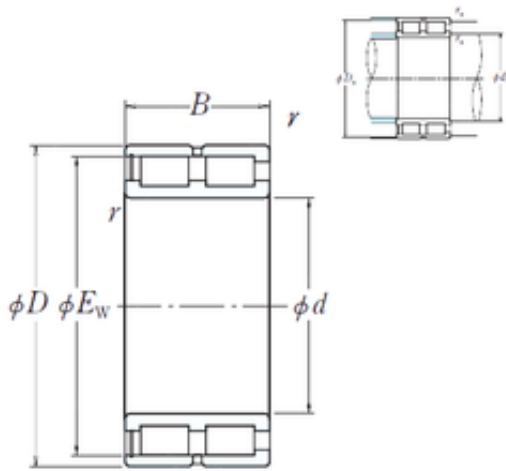




JLB Bearing Technology Co., Ltd

NNCF5030V NSK Double row full complement cylindrical roller bearings

Bearing No. NNCF5030V



NNCF5030V Bearing 2D drawings and 3D CAD models

Size	150x206.82x100 mm
Bore Diameter	150 mm
Outer Diameter	206,82 mm
Width	100 mm
d	150 mm
D	225 mm
Ew	206,82 mm
B	100 mm
C	100 mm
r min.	2,1 mm
Da	209 mm
ra max.	2 mm
da	165 mm
Weight	13 Kg
Basic dynamic load rating (C)	785 kN