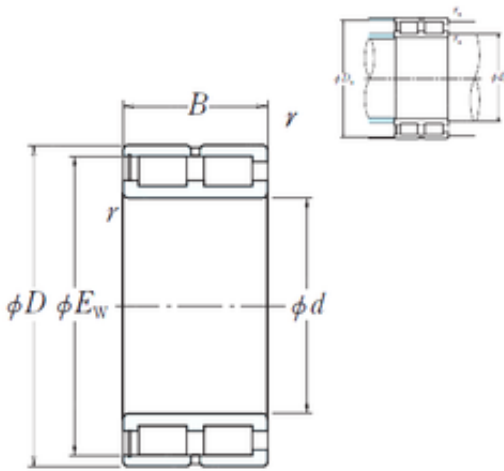




JLB Bearing Technology Co., Ltd

NNCF4964V NSK Double row full complement cylindrical roller bearings

Bearing No. NNCF4964V



NNCF4964V Bearing 2D drawings and 3D CAD models

Size	320x404.5x118 mm
Bore Diameter	320 mm
Outer Diameter	404,5 mm
Width	118 mm
d	320 mm
D	440 mm
Ew	404,5 mm
B	118 mm
C	118 mm
r min.	3 mm
Da	418 mm
ra max.	2,5 mm
da	340 mm
Weight	55 Kg
Basic dynamic load rating (C)	1620 kN