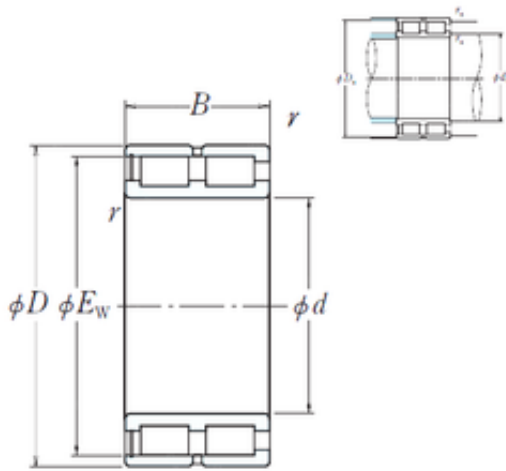




# JLB Bearing Technology Co., Ltd

## NNCF5064V NSK Double row full complement cylindrical roller bearings

Bearing No. NNCF5064V



NNCF5064V Bearing 2D drawings and 3D CAD models

Size	320x446.9x218 mm
Bore Diameter	320 mm
Outer Diameter	446,9 mm
Width	218 mm
d	320 mm
D	480 mm
Ew	446,9 mm
B	218 mm
C	218 mm
r min.	4 mm
Da	454 mm
ra max.	3 mm
da	343 mm
Weight	131 Kg
Basic dynamic load rating (C)	3500 kN