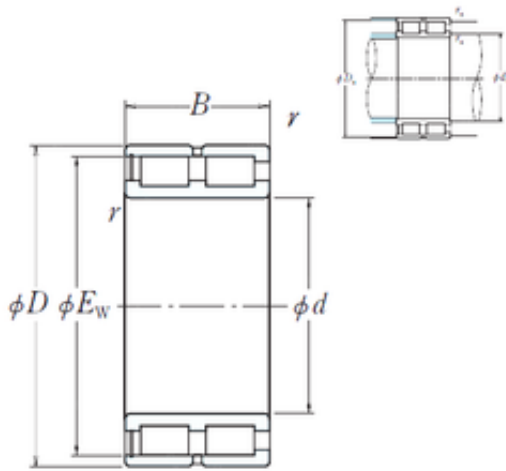




# JLB Bearing Technology Co., Ltd

## NNCF4922V NSK Double row full complement cylindrical roller bearings

Bearing No. NNCF4922V



NNCF4922V Bearing 2D drawings and 3D CAD models

Size	110x138.4x40 mm
Bore Diameter	110 mm
Outer Diameter	138,4 mm
Width	40 mm
d	110 mm
D	150 mm
Ew	138,4 mm
B	40 mm
C	40 mm
r min.	1,1 mm
Da	140 mm
ra max.	1 mm
da	119 mm
Weight	2,1 Kg
Basic dynamic load rating (C)	202 kN