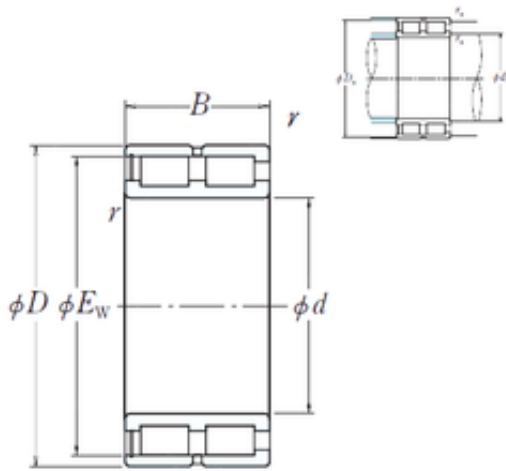




JLB Bearing Technology Co., Ltd

NNCF4940V NSK Double row full complement cylindrical roller bearings

Bearing No. NNCF4940V



NNCF4940V Bearing 2D drawings and 3D CAD models

Size	200x259.5x80 mm
Bore Diameter	200 mm
Outer Diameter	259,5 mm
Width	80 mm
d	200 mm
D	280 mm
Ew	259,5 mm
B	80 mm
C	80 mm
r min.	2,1 mm
Da	263 mm
ra max.	2 mm
da	216 mm
Weight	15,7 Kg
Basic dynamic load rating (C)	665 kN