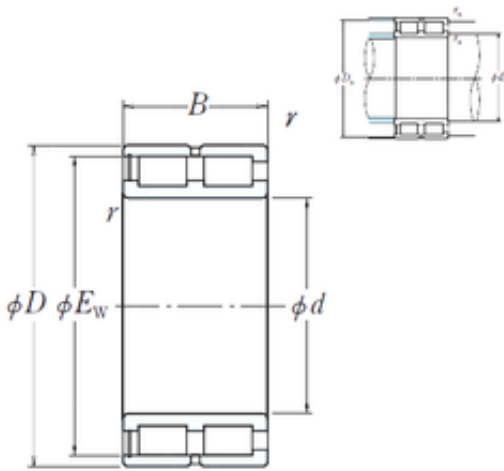




JLB Bearing Technology Co., Ltd

NNCF4926V NSK Double row full complement cylindrical roller bearings

Bearing No. NNCF4926V



NNCF4926V Bearing 2D drawings and 3D CAD models

Size	130x165.7x50 mm
Bore Diameter	130 mm
Outer Diameter	165,7 mm
Width	50 mm
d	130 mm
D	180 mm
Ew	165,7 mm
B	50 mm
C	50 mm
r min.	1,5 mm
Da	168 mm
ra max.	1,5 mm
da	141 mm
Weight	3,9 Kg
Basic dynamic load rating (C)	262 kN