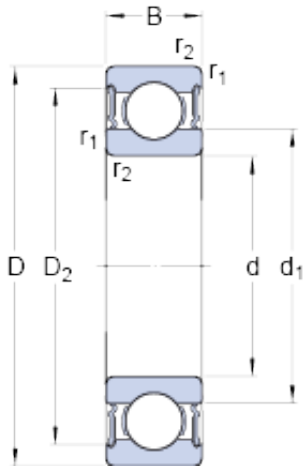




JLB Bearing Technology Co., Ltd



20 mm x 52 mm x 21 mm SKF 62304-2RS1
 Deep groove ball bearing size: 20x52x21 mm
 62304-2RS1/C3

Bearing No. 62304-2RS1

62304-2RS1 Bearing 2D drawings and 3D CAD models

Size	52x20x21 mm
Bore Diameter	52 mm
Outer Diameter	20 mm
Width	21 mm
d	20 mm
D	52 mm
B	21 mm
d ₁	30.35 mm
D ₂	44.71 mm
r _{1,2} - min.	1.1 mm
d _a - min.	27 mm
d _a - max.	30.3 mm
D _a - max.	45 mm
r _a - max.	1 mm
Basic dynamic load rating - C	15.9 kN
Basic static load rating - C ₀	7.8 kN
Fatigue load limit - P _u	0.335 kN
Limiting speed	9500 r/min
Calculation factor - k _r	0.03
Calculation factor - f ₀	12
Category	Single Row Ball Bearings
Inventory	0.0
Manufacturer Name	SKF



JLB Bearing Technology Co., Ltd

Minimum Buy Quantity	N/A
Weight / Kilogram	0.2
EAN	7316577080578
Product Group	B00308
Enclosure	2 Seals
Precision Class	ABEC 1 ISO P0
Maximum Capacity / Filling Slot	No
Rolling Element	Ball Bearing
Snap Ring	No
Internal Special Features	No
Cage Material	Steel
Enclosure Type	Contact Seal
Internal Clearance	C0-Medium
Inch - Metric	Metric
Long Description	20MM Bore; 52MM Outside Diameter; 21MM Outer Race Width; 2 Seals; Ball Bearing; ABEC 1 ISO P0; No Filling Slot; No Snap Ring; No Internal Special Features; C0-Medium Internal Clearance; Steel Cage;
Other Features	Deep Groove NBR Seal
Category	Single Row Ball Bearing
UNSPSC	31171504
Harmonized Tariff Code	8482.10.50.68
Noun	Bearing
Keyword String	Ball
Manufacturer URL	http://www.skf.com
Weight / LBS	0.43
Bore	0.787 Inch 20 Millimeter
Inner Race Width	0 Inch 0 Millimeter
Outside Diameter	2.047 Inch 52 Millimeter



JLB Bearing Technology Co., Ltd

Outer Race Width	0.827 Inch 21 Millimeter
bore diameter:	20 mm
static load capacity:	7.8 kN
outside diameter:	52 mm
precision rating:	Not Rated
overall width:	21 mm
finish/coating:	Uncoated
bore type:	Round
cage material:	Steel
closure type:	Double Sealed
outer ring width:	21 mm
row type & fill slot:	Single Row Non-Fill Slot
fillet radius:	1 mm
internal clearance:	C0
maximum rpm:	9500 RPM
dynamic load capacity:	15.9 kN
series:	62
d_1	30.35 mm
D_2	44.71 mm
$r_{1,2}$ min.	1.1 mm
d_a min.	27 mm
d_a max.	30.3 mm
D_a max.	45 mm
r_a max.	1 mm
Basic dynamic load rating C	15.9 kN
Basic static load rating C_0	7.8 kN
Fatigue load limit P_u	0.335 kN
Calculation factor k_r	0.03
Calculation factor f_0	12
Mass bearing	0.21 kg